

AAA - 40F

Type: - Turbine 3/20

Gearbox: - R 126

Optional: - VAS on trolley

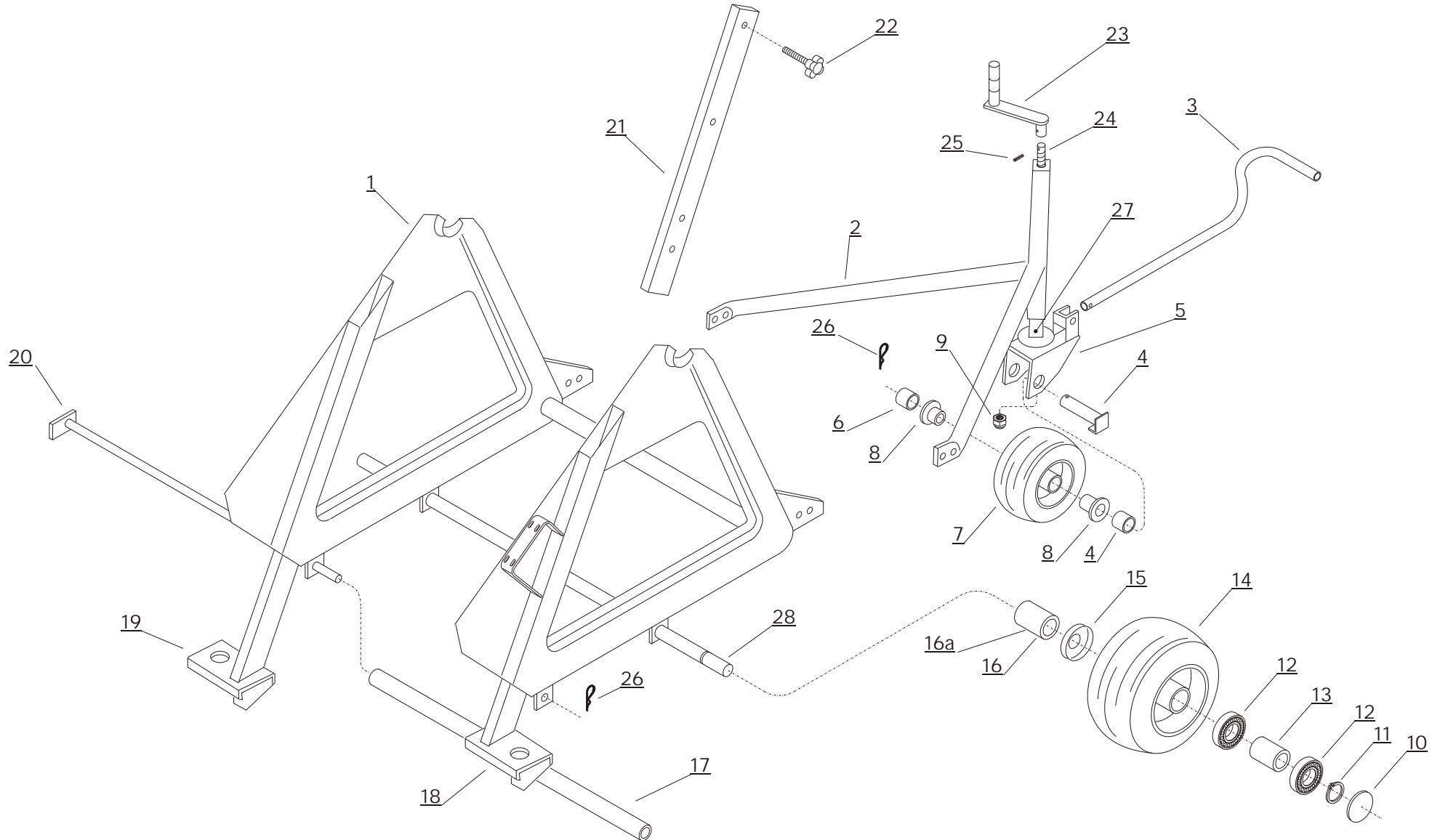
CATALOGO PARTI RICAMBIO
SPARE PART LIST
CATALOGUE DE PIECE DETACHEES



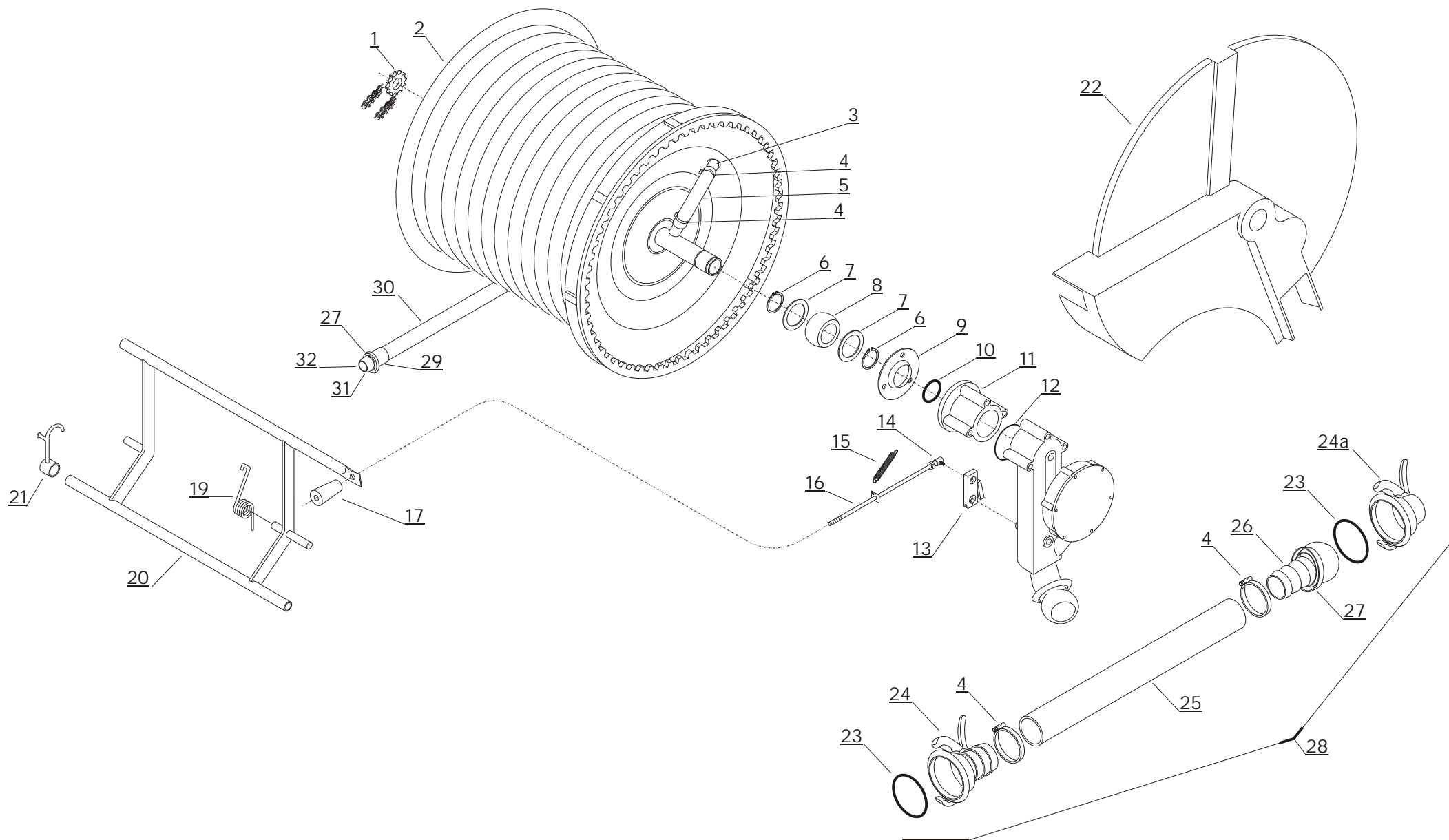
10/2000



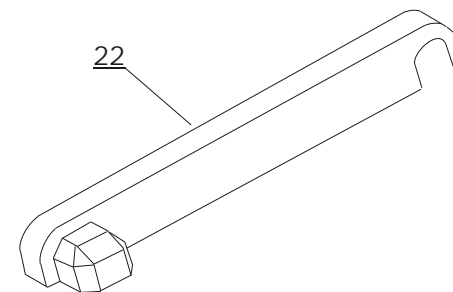
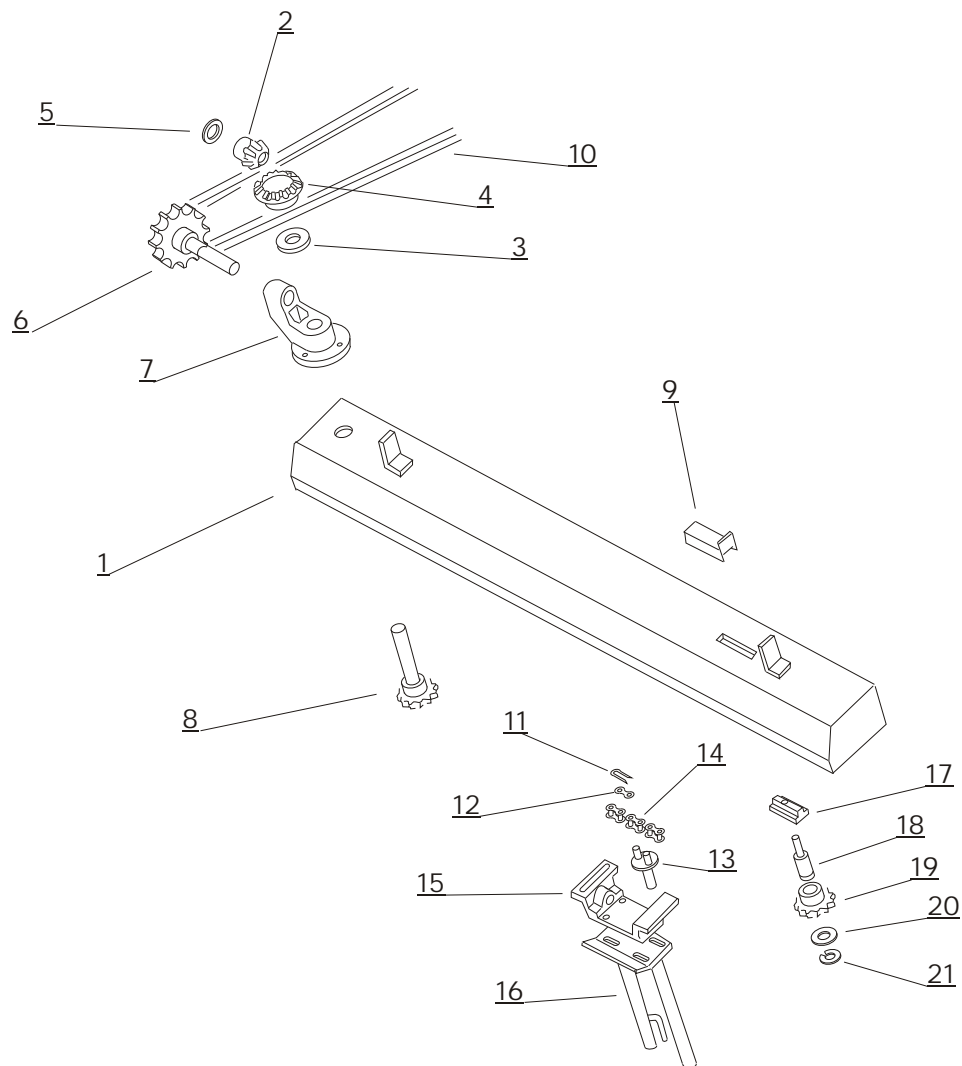
<i>TAV.</i>	<i>INDICE DELLE TAVOLE</i>	<i>LIST OF FIGURES</i>	<i>TABLE DES MATIERES</i>	<i>PAG.</i>
AAA 101	TELAIO	FRAME	CHASSIS	01
AAA 102	BOBINA	HOSE DRUM	BOBINE	03
AAA 103	GRUPPO BOBINATORE	HOSEGUIDE MECHANISM	TRANCANAGE	05
AAA 106	MECCANISMO TURBINA	TURBINE MECHANISM	MÉCANISME TURBINE	07
AAA 107	TURBINA 3/20	TURBINE 3/20	TURBINE 25/130	11
AAA 108	CARRELLO	TROLLEY	TRAÎNEAUX	13

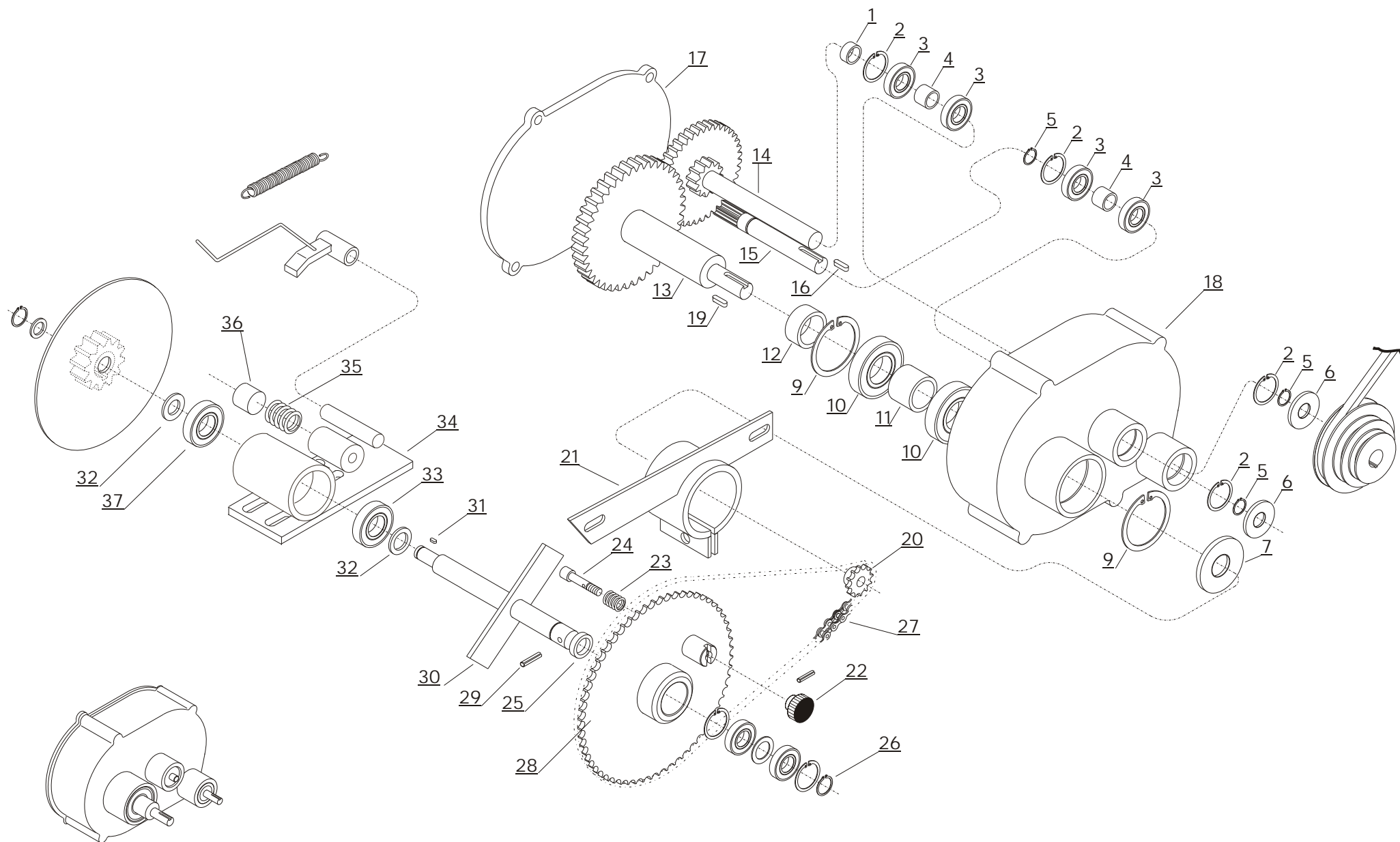


N.	COD.	DESCRIZIONE	DESCRIPTION	DENOMINATION	Q.
1	AAA 5400961	Montante completo	Compleat support	Montant complet	1
2	AAA 5401941	Timone	Draw bar	Timon	1
3	AAA 5401966	Leva di traino	Tow lever	Barre de remorquage	1
4	AAA 5401910	Perno ruotina	Front wheel shaft	Axe de roue	1
5	AAA 5401967	Forcella ruotina	Wheel fork	Fourchette de roue	1
6		Distanziale	Spacer	Entretoise	2
7	001714	Ruotina	Front wheel	Roue	1
8		Boccola in plastica	Plastical ring	Bague plastique	2
9		Dado autobloccante M14	Nut M14 E	crou autoblocant M14	1
10		Coperchio	Cover	Couvercle	2
11		Anello di arresto E25	Stop ring E25	Circlip E25	2
12		Cuscinetto 6005 2RS	Bearing 6005 2RS	Roulement 6005 2RS	4
13	003672	Distanziale	Spacer	Entretoise	2
14		Ruota	Wheel	Roue	2
15		Parapolvere	Leap seal	Joint a levre	2
16		Distanziale L141	Spacer L141	Entretoise L141	1
16a		Distanziale L61	Spacer L61	Entretoise L61	1
17	05.025	Protezione rullo PET	PET protection	Protection PET	1
18	004881	Piede destro	Right foot	Pied droit	1
19	004881	Piede sinistro	Left foot	Pied gauche	1
20	AAA 5401912	Tubo supporto di protezione PET	PET protection support tube	Tube support de protection PET	1
21	AAA 5401929	Asta fissaggio carter	Rod	Tige	1
22	003522	Volantino mod.1015/F Ø30 M6 x 40	Ball grip mod.1015/F Ø30 M6 x 40	Bouton mod.1015/F Ø30 M6 x 40	1
23	001771/A	Manovella binda	Handle	Manivelle	1
24	003683	Vite di binda	Jack screw	Vis de cric	1
25		Spina elastica	Spring pin	Goupille fendue	1
26		Agri Ø4	Cotter pin Ø4	Goupille beta Ø4	2
27	AAA 5400943	Binda	Jack	Cric	1
28		Perno assale ruote Ø25	Pin for wheel Ø25	Axe roue Ø25	1

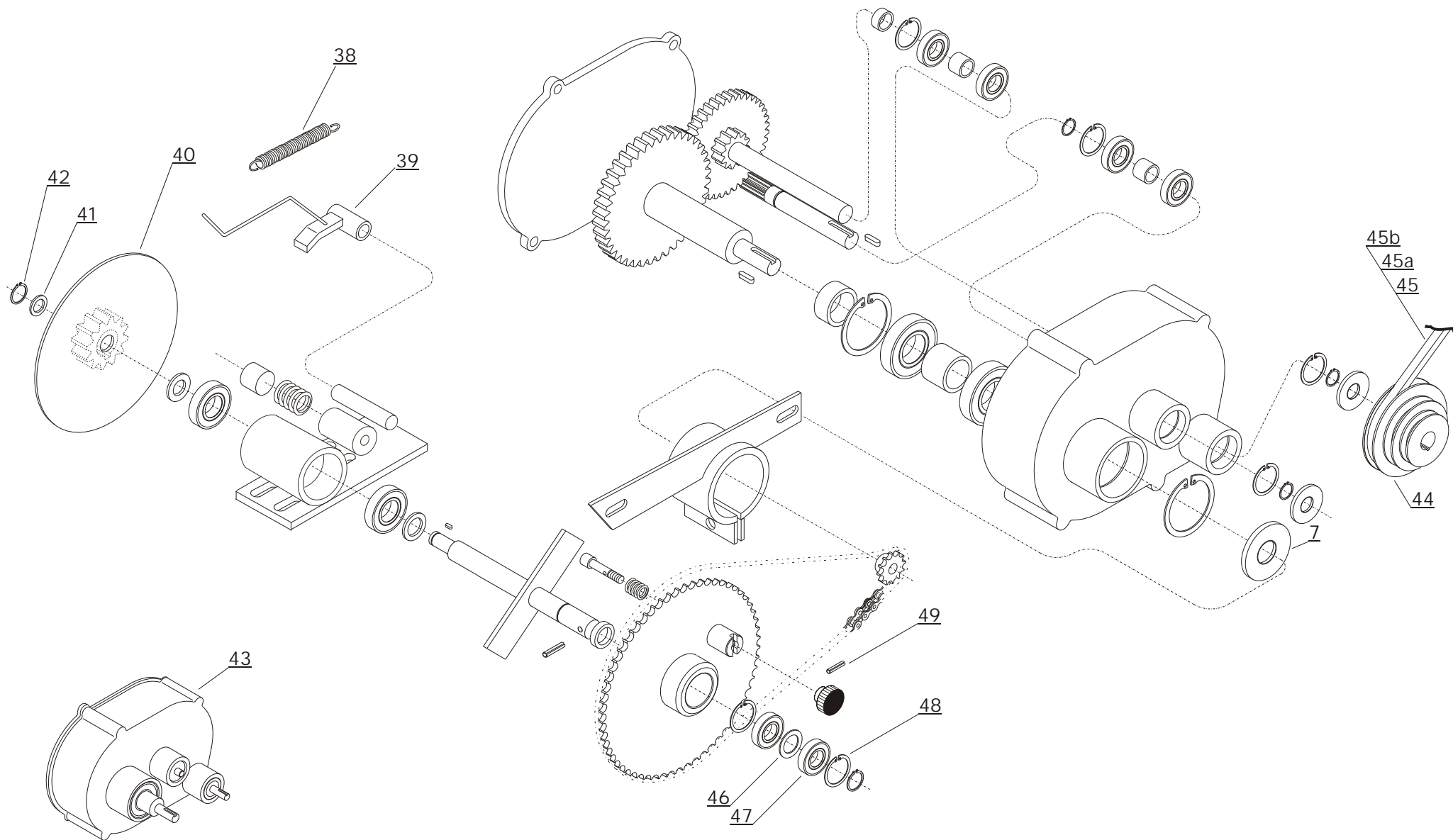


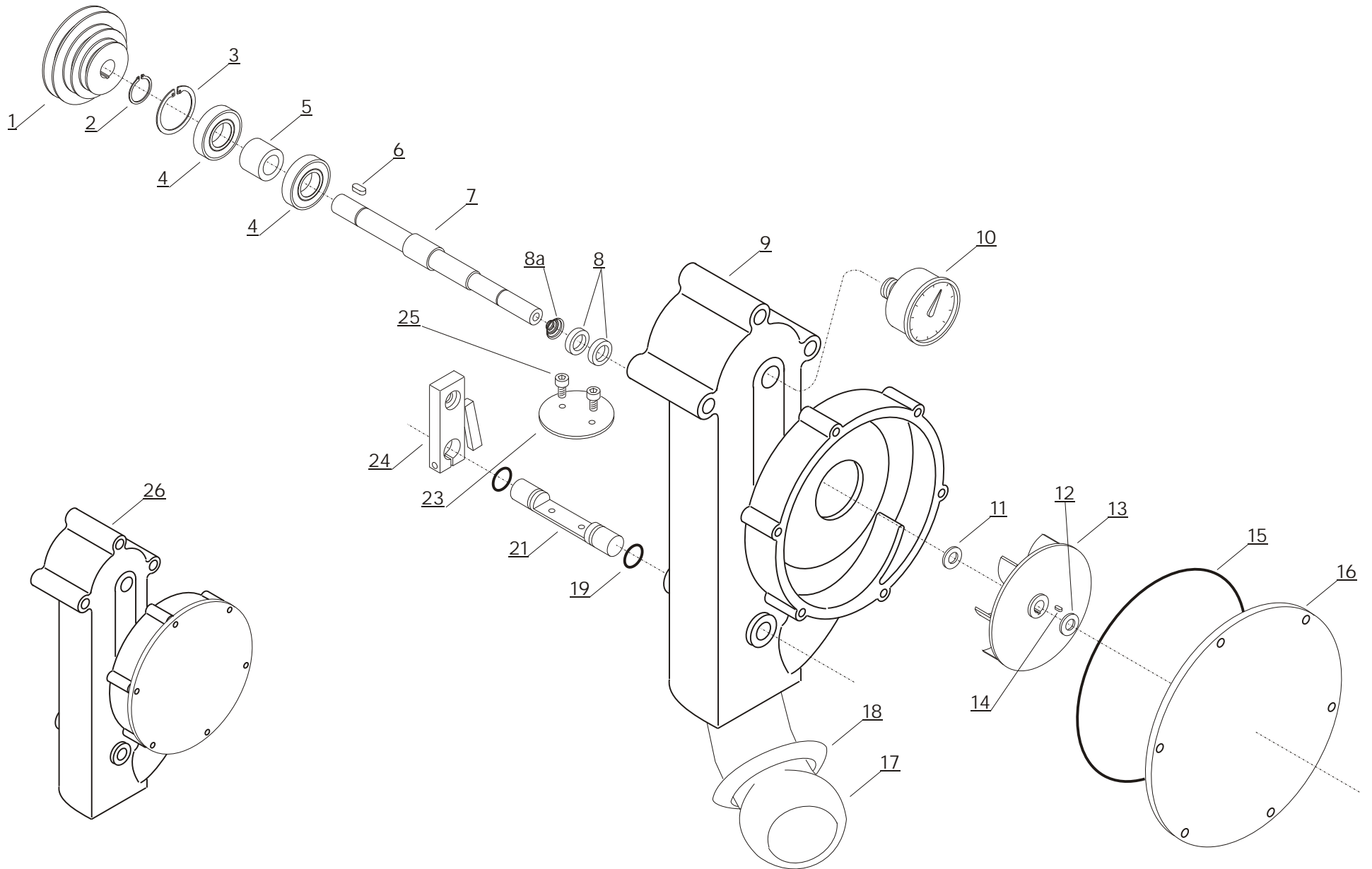
N.	COD.	DESCRIZIONE	DESCRIPTION	DENOMINATION	Q.
1	003676	Corona Z12 1/2" 1/8"	Chain wheel Z12 1/2" 1/8"	Couronne Z12 1/2" 1/8"	1
2	AAA 5401939	Bobina	Drum	Bobine	1
3	004667	Curve PET bobina	Drum PET elbow	Coude PET bobine	1
4	001251	Fascetta	Clip	Collier	4
5	000406	Tubo di gomma	Hose	Tuyau en caoutchouc	0,3m,
6	001393	Anello di arresto E40	Stop ring E40	Circlip E40	4
7	001235	Rondella Ø42 sp:2	Washer Ø42 th:2	Rondelle Ø42 ep:2	4
8	001233	Supporto snodato in Delrin	Drum support in Delrin	Palier a rotule en Delrin	2
9	001301	Flangia di supporto	Drum support flange	Bride de palier a rotule	2
10	001377	OR Øi40,65 × 5,34	O ring i40,65 × 5,34	Joint torique i40,65 × 5,34	1
11	001299/B	Giunto girevole	Turning seal	Joint tournant	1
12	006111	OR 150 Ø46.04 × 3.53	O ring 150 Ø46.04 × 3.53	Joint torique 150 Ø46.04 × 3.53	1
13	003989/A	Leva by-pass	By-pass lever	Levier de commande by-pass	1
14	003866	Snodo sferico	Ball joint	Articulation a rotule	1
15	001669	Molla di by-pass	By-pass spring	Ressort de by-pass	1
16	004273	Asta di comando by-pass	By-pass rod	Tige de commande by-pass	1
17	004175	Volantino Ø60 M8 mod. 1052/FP	Hand grip	Poignee	1
19	001987	Molla di palpatore	Hose retention bar spring	Ressort de palpeur	1
20	002829	Palpatore	Hose retention bar	Palpeur	1
21	AAA 5400945	Supporto carrello	Trolley support	Support traineau	1
22	004177	Carter turbina	Turbine cover	Carter turbine	1
23	7FEG048	OR FERRARI Ø48	O ring FERRARI Ø48	Joint FERRARI Ø48	2
24	7FES048FC040	Raccordo F, canelato FERRARI Ø48	Pipe fitting FERRARI Ø48	Raccord FERRARI Ø48	1
24a	7FES048F	Raccordo F, FERRARI Ø48	Pipe fitting FERRARI Ø48	Raccord FERRARI Ø48	1
25	000406	Tubo di gomma AT 40 × 50	Hose	Tuyau en caoutchouc	3m,
26	7FES048MC040	Semigiunto M, FERRARI Ø48 cannellato	FERRARI Ø48 male	FERRARI Ø48 male	2
27	7FEA048	Anello FERRARI Ø48	Ring FERRARI Ø48	Anneau FERRARI Ø48	2
28	16.TA.40	Tubo alimentazione	Hose	Tube d'alimentation	1
29	001542/A	Anello PET Ø40	Ring PET Ø40	Anneau PET Ø40	1
30		Tubo PET 40/110	Hose PET 40/110	Tuyau PET 40/110	1
31	004031	Raccordo fine tubo Ø40 FERRARI	Pipe fitting FERRARI	Raccord fin de tube FERRARI	1
32	07635	Raccordo fine tubo filettato 1"1/4	Pipe fitting 1"1/4	Raccord fin de tube 1"1/4	1



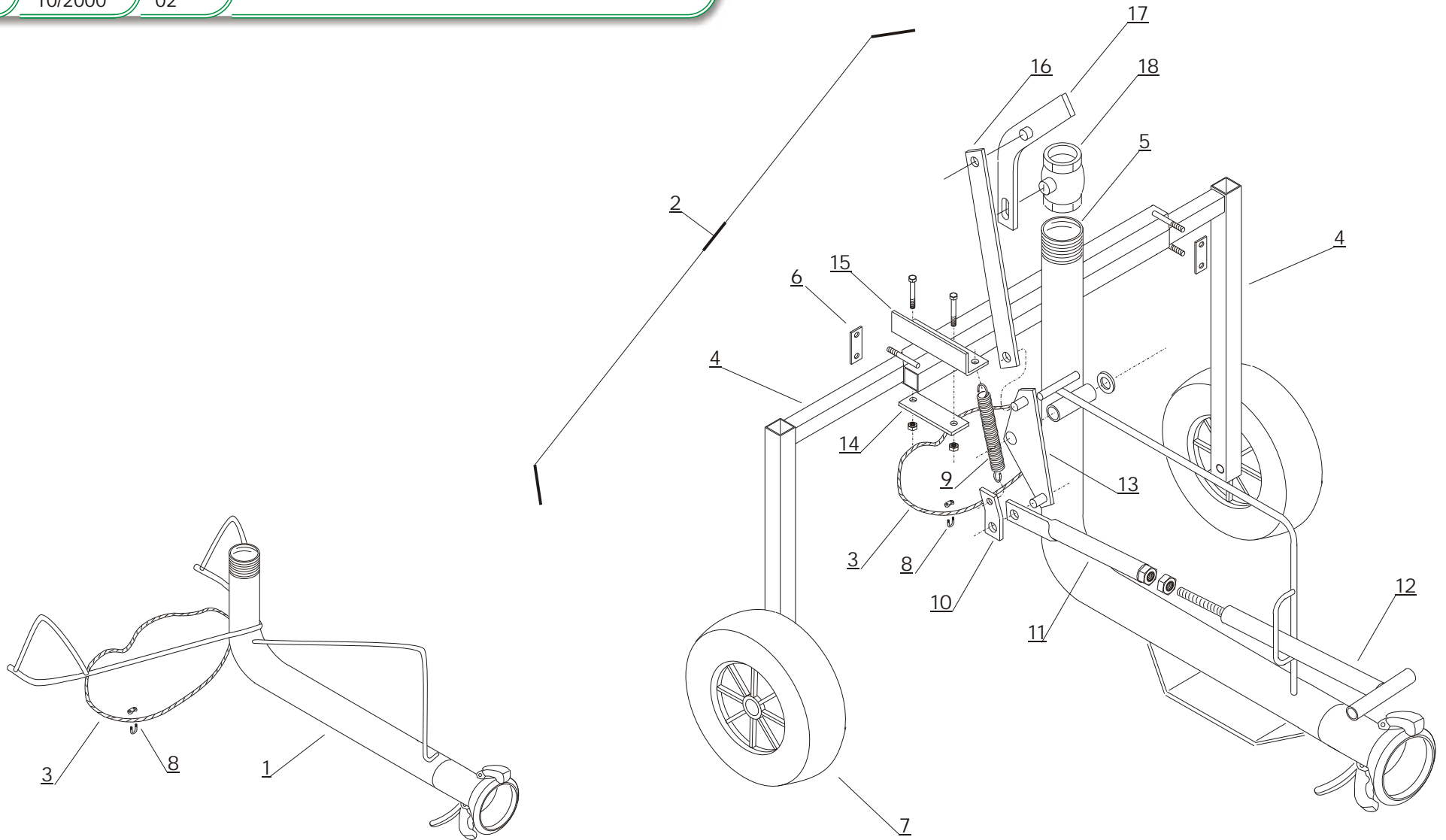


N.	COD.	DESCRIZIONE	DESCRIPTION	DENOMINAZIONE	Q.
1	003966/A	Distanziale 14×11×5,3	Spacer 14×11×5,3	Entretoise 14×11×5,3	1
2	003685	Anello di arresto i26	Stop ring i26	Circlips i26	4
3	003694	Cuscinetto 6000	Bearing 6000	Roulement 6000	4
4	3003966/B	Distanziale 15×11×10	Spacer 15×11×10	Entretoise 15×11×10	2
5	001210	Anello di arresto E10	Stop ring E10	Circlips E10	3
6	003675	Paraolio Ø10×26	Oil retainer Ø 10×26	Joint a levre Ø 10×26	2
7	003545	Paraolio Ø47×25×7	Oil retainer Ø47×25×7	Joint a levre Ø47×25×7	1
9	03101	Anello di arresto i47	Stop ring i47	Circlips i47	2
10	003693	Cuscinetto 6005	Bearing 6005	Roulement 6005	2
11	003967/A	Distanziale sp:9	Spacer th:9	Entretoise ep:9	1
12	003967	Distanziale sp:7,5	Spacer th:7,5	Entretoise ep:7,5	1
13	004438	Perno con pignone Z100 M1	Sprocket Z100 M1	Pignon Z100 M1	1
14	004437	Pignone intermedio	Middle sprocket	Pignon intermediaire	1
15	184001	Pignone d'ingresso M0,75 Z11	Inlet sprocket M0,75 Z11	Pignon d'entree M0,75 Z11	1
16	003186	Chiavetta 3×10	Key 3×10	Clavette 3×10	1
17	004529	Coperchio	Cover	Couvercle	1
18	004394/A	Corpo riduttore	Gearbox body	Corps de reducteur	1
19	06222	Chiavetta 5×20	Key	Clavette	1
20	G16026	Pignone Z9 1/2" 5/16"	Chain wheel Z9 1/2" 5/16"	Couronne Z9 1/2" 5/16"	1
21	AAA 5401956	Supporto riduttore	Gearbox support	Support de reducteur	1
22	002496	Pomello M8	Hand grip M8	Poignee M8	1
23	003903	Molla	Spring	Ressort	1
24	G14028	Perno d'innesto	Pin	Doight de verrouillage	1
25	003053	Distanziale Ø25×16×7	Spacer Ø25×16×7	Entretoise Ø25×16×7	1
26	002315	Anello di arresto E15	Stop ring E15	CirclipE15	1
27	006349	Catena 1/2" 5/16" 63p + giunto	Chain 1/2" 5/16" 63p + Union link	Chaîne 1/2" 5/16" 63p + jonction	1
28	G06060	Corona Z45 1/2" 5/16"	Chain wheel Z45 1/2" 5/16"	Couronne Z45 1/2" 5/16"	1
29		Spina elastica	Spring pin	Goupille mecanindus	1
30	003938	Perno secondario Ø15	Shaft Ø15	Axe Ø15	1
31	004008	Chiavetta 4×20	Key 4×20	Clavette 4×20	1
32		Rondella Ø15	Washer Ø15	Rondelle Ø15	1
33	003695	Cuscinetti 6002	Bearing 6002	Roulement	1
34	004152	Supporto meccanismo	Mechanism support	Support mecanisme	1
35	02610	Molla	Spring pin	Ressort	1
36	005650	Tampone freno	Brake pad	Tampon de frein	1
37	001202	Cuscinetto 6001	Bearing 6001	Roulement 6001	1





<i>N.</i>	<i>COD.</i>	<i>DESCRIZIONE</i>	<i>DESCRIPTION</i>	<i>DENOMINATION</i>	<i>Q.</i>
1	004135	Puleggia a 3 stadi × turb 3/20 (AAA/AA/A5)	Pulley	Poulie	1
2	001210	Anello di arresto E10	Stop ring E10	Circlips E10	1
3	003904	Anello di arresto i30	Stop ring i30	Circlips i30	1
4	003171	Cuscinetto 6200 2RS	Bearing 6200 2RS	Roulement 6200 2RS	2
5	004004	Distanziale 16×10,3×14	Spacer 16×10,3×14	Entretoise 16×10,3×14	1
6	003186	Chiavetta 3×10	Key 3×10	Clavette 3×10	1
7	003846	Perno girante	Impeller shaft	Axe de roue	1
8	003192	Tenuta	Seal	Joint tournant	1
8	003192	Tenuta	Seal	Joint tournant	1
8a	001624	Molla conica × tenuta turbina 3/20	Spring seal	Ressort de joint tournant	1
9	004057/A	Corpo turbina 3/20	Turbine 3/20 body	Corps turbine 3/20	1
10	095	Manometro 0-25 bar 1/4" conico posteriore	Pressure gauge	Manometre	1
11	004564	Spessore ottone 10,2×15,8×1,5	Spacer	Entretoise	1
12		Rondella	Washer	Rondelle	2
13	003871	Girante	Impeller	Roue	1
14	003186	Chiavetta 3×10	Key 3×10	Clavette 3×10	1
15	003751	OR 4400 Ø 101,2 × 3,53	O-ring Ø 101,2 × 3,53	Joint Ø 101,2 × 3,53	1
16	003747/A	Coperchio turbina	Turbine cover	Couvercle	1
17	004272	Curva alimentazione inferiore	Lower feeding elbow	Coude d'alimentation inferieure	1
18	7FEA048	Anello FERRARI Ø 48	Connecting ring FERRARI Ø48	Anneau FERRARI Ø48	1
19	003752	OR 104 Ø6,07 × 1,78	O-ring Ø 6,07 × 1,78	Joint Ø 6,07 × 1,78	2
21	004108	Perno by-pass	By-pass shaft	Axe de by-pass	1
23	005362/A	Disco by-pass senza OR	By-pass disc without OR	Disque de by-pass sans joint	1
24	03989/A	Leva di comando	By-pass Lever, control by-pass	Levier de commande by-pass	1
25	7000360408000	Viti TE 4×8 inox	Screw 4×8 inox	Vis 4×8 inox	2
26	004057/B	Turbina completa	Turbine assy	Turbine assemblee	1



AAA 108

CARRELLO

TROLLEY

TRAINEAU

PAG.
2/2

ED.
10/2000

REV.
02

LT: Lato Turbina - LC: Lato Catena

TS: Turbine Side - CS: Chain Side

CT: Cote Turbine - CC: Cote Chaîne

N.	COD.	DESCRIZIONE	DESCRIPTION	DENOMINATION	Q.
1	16.C.AAA.SL	Carrello slitta	Slide trailer	Traineau a patins	1
2	16.C.AAA.RU	Carrello ruota senza kit VAS	Wheel trailer without kit VAS	Traineau a roue sans kit VAS	1
3	003465	Cavo traino	Rope	Cable	1
4	004661	Gambe	Leg	Jambe	2
5	004660	Corpo centrale carrello	Central body	Corps central	1
6	004662	Piastra bloccaggio gamba	Plate	Plat de blocage jambe	2
7	001533	Ruota	Wheel	Roue	2
8	002970	Morsetto zincato	Clamp	Cavalier	1
9	002937	Molla	Spring	Ressort	1
10	005550	Piastra aggancio molla	Plate, spring support	Plat d'attache ressort	1
11	005553	Staffa aggancio comando chiusura VAS VAS	Comand rod	Levier commande VAS	1
12	005552	Asta comando chiusura VAS	Rod, stop comand	Levier d'arret VAS	1
13	005551	Suadra rinvio tirante VAS	Plate, rod comand	Equerre renvoi tirant	1
14	005547	Piatto 110×30 supporto molla	Plate 110×30 spring support	Plat 110×30 support de ressort	1
15	005548	Supporto aggancio molla	Spring support	Support attache ressort	1
16	005554	Asta tirante leva comando VAS	Rod, Shut-off valve comand lever	Levier tirant commande VAS	1
17	005549	Leva comando VAS VAS	Comand lever	Levier de commande VAS	1
18	004211	Rubinetto a sfera	Spheric valve	Robinet à sphere	1